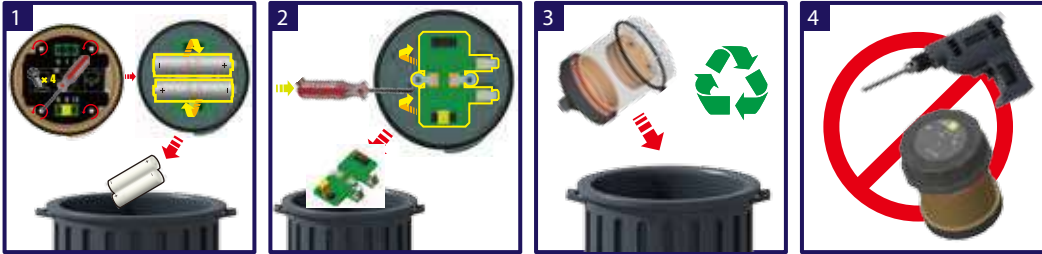


How to dispose



1. Turn the housing cap counterclockwise and unscrew the top to remove the battery cover. Dispose of used battery pack conforming to local regulations.
2. Using a hand tool such as a screw driver, detach the PCB (Printed Circuit Board) from the used unit. Dispose of the PCB conforming to local regulations.
3. Dispose of remaining plastic components in a designated area. Comply with local regulations for recycling.
4. Do not cut or puncture a used unit to avoid any potential personal injury or hazards.

Shelf Life and Warranty

The shelf life of the Pulsarlube EO is 1 year from the date of production. Product warranty is limited to original defects in material and workmanship and will not cover any collateral damage due to mishandling, abuse and /or any other inappropriate use of this product. Warranty period is 1 year from the date of purchase.

How to Order

EO 60 / OL1
EO120 / OL1
EO240 / OL1

Oil Type

Lubricator Model

(Pulsarlube EO, EO60: 60ml, EO120: 120ml EO240: 240ml Capacity)

PULSARLUBE EO

USER MANUAL

**Cost Effective,
User Friendly Automatic Oil Lubricator**

Specifications

Specifications	Description
Oil Capacity	60, 120, 240ml
Maximum Pressure	5bar (70psi)
Operating Temperature	-20°C ~ 55°C (-4°F ~ 131°F)
Product Size	60ml : Ø77mm (3.03") × 92mm (3.62") 120ml : Ø77mm (3.03") × 112mm (4.41") 240ml : Ø77mm (3.03") × 157mm (6.18")
Installation Thread Size	Compatible Thread PT/NPT 1/4" Male
Gas Type	Nitrogen (N ₂) Gas
Available Dispensing Periods	1, 3, 6, 9 & 12 months
Certifications / IP code	IECEX, ATEX, KCs, UL, CE, MSHA , IP68
Remote Installation	Up to 3m (10 ft.) using a 4mm O.D. pre-filled lube line



Models

PULSARLUBE EO 60,120,240ml Oil Lubricator

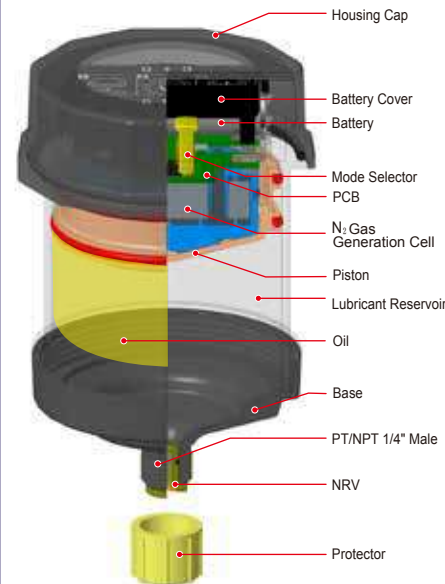
ISO9001/14001

Before Use

Thank you for purchasing the Pulsarlube EO. To ensure the safe operation and proper installation of the Pulsarlube EO unit, we strongly recommend that you read the following information carefully before use. If you require further information, please contact your local supplier or manufacturer.

NOTE Technical information is subject to change without prior notice.

Product Details



Product Certifications

Certifications		
IECEX	Ex ia IIC T4 Ga IECEX KTL 12.0008X -20°C ≤ T ≤ +55°C	IEC 60079-0:2011 IEC 60079-11:2011
ATEX	 0344 II 1 G Ex ia IIC T4 Ga INERIS 12ATEX0062X -20°C ≤ T ≤ +55°C	EN 60079-0:2012 + A11:2013 EN 60079-11:2012
KCs	 Ex ia IIC T4 12-KB2BO-0283X -20°C ≤ T ≤ +55°C	IP68
UL	 US LISTED E352761	Class I, Div. I, Group A, B, C, D Class II, Div. I, Group E, F, G Hazardous locations, intrinsically safe, Exia, Temp. Code T4, -25°C ≤ TA ≤ +55°C
MSHA	 Approval No. 18-A180003-0 TESTED FOR INTRINSIC SAFETY IN METHANE -AIR MIXTURES ONLY	
<p>Warning Locations: Intrinsically Safe, SÉCURITÉ INTRINSEQUE, Exia Potential electrostatic charging hazard; clean only with a damp cloth Do not charge, replace, or change battery cells Temp. Code T4, -25°C ≤ TA ≤ +55°C Substitution of components may impair Intrinsic Safety: AVERTISSEMENT: LA SUBSTITUTION DE COMPOSANTS PEUT COMPROMETTRE LA SÉCURITÉ INTRINSEQUE. If ignitable gasses are present, touch only with an insulating object or while wearing an electrostatic grounding device. To prevent ignition of flammable or combustible atmospheres, read, understand, and adhere to manufacturer's live maintenance procedure. The batteries are not user-replaceable</p>		
Description		
Manufacturer / Address	KLT Co., Ltd. 6-19, Hansan-ro, Tanhyeon-myeon, Paju-si, Gyeonggi-do, Korea	
Product Description	Automatic Single Point Lubricator	
Product Name	Pulsarlube EO	
Type	EO60, EO120, EO240	
Trademark		

Pulsarlube USA, Inc.

1480 Howard Street, Elk Grove Village, IL 60007, USA
 TEL: 1-847-593-5300 FAX: 1-847-593-5303

www.pulsarlube.com / info@pulsarlube.com

REV. 190520

How to use

1



- To install, fill oil into the empty unit. Open the protector and insert the NRV (Non Return Valve) to the filled unit.
- After inserting the NRV, please use PT1/4" F x PT1/8" M adapter (Pulsarlube Part No: A005) for direct mounts or install a remote installation kit (Pulsarlube Kit item: C035) for remote installations.
- After inserting the NRV, the Pulsarlube EO can be installed with an oil brush kit (Pulsarlube Kit No: C030 or C031)

2 How to set dispensing mode



- Turn the housing cap counterclockwise and unscrew the cap.
- Pull out the red Mode Selector from the default **OFF** position.
- To activate the Pulsarlube EO unit, firmly push the Mode Selector into the slot of the selected period from 1, 3, 6, 9, or 12 months. The unit will soon start dispensing self-contained lubricant at the desired rate.
- Turn the housing cap clockwise until the cap is securely locked in place.

3



Prior to installation, the installation date and scheduled date of expired lube cycle should be logged by the operator on the label of the Pulsarlube EO. Refer back to label of the Pulsarlube EO unit for further identification.

4



Remove the protector from the output thread and use appropriate adapters to install on the lube point.

⚠ WARNING

- Do not excessively tighten the Pulsarlube EO as it may result in permanent damage to the plastic thread.

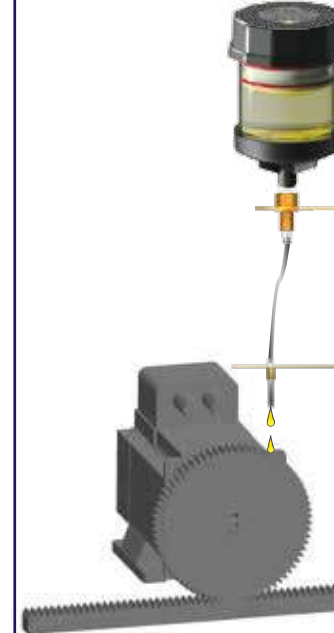
5 Mounting Methods

Direct Mount – Straight & Angle



When there are space restrictions of the application that will not allow a direct straight mount, use a 45° or 90° fitting for Direct Angle Mount.

Direct Mount with Extension Pipe



For applications where a direct straight mount or angle mount is not available, use a straight, 45° or 90° fitting with extension pipe, e.g. 50mm, 100mm, 150mm etc.

Remote Mount



For remote installation, use accessory kit. Keep the total length of the mount at 3m(10ft) or less.



Warning

For oils below ISO VG 100, place the oilers below the lube points and twist the lube lines a couple of times to avoid oil leaks caused by gravity.

For oils below ISO VG 100 – EO products should be installed below the lube points.

Dispensing Equivalents

Required dispensing volume may vary with individual equipment and operating conditions.

It is recommended to select a dispensing period by the maintenance experiences or test results on particular equipment.

Contact your local distributor should you need any assistance in setting proper dispensing rates.

Dispensing Period	Dispensing Volume			NOTE
	60ml	120ml	240ml	
1 Month	2.00ml/day	4.00ml/day	8.00ml/day	Dispensing volumes (ml/day) are calculated assuming the lubricator is operating at 20°C/68°F. Output will vary with ambient temperature changes, atmospheric pressure changes, viscosity of lubricant, or any resistance or backpressure existing at the lube point.
3 Month	0.67ml/day	1.33ml/day	2.66ml/day	
6 Month	0.33ml/day	0.67ml/day	1.33ml/day	
9 Month	0.22ml/day	0.44ml/day	0.89ml/day	
12 Month	0.17ml/day	0.33ml/day	0.67ml/day	



Warning The Pulsarlube EO is a disposable unit. Please replace with a new unit after setting period is finished.